



Alley Cat Allies

Caregiving Information



BUILD A FERAL CAT FEEDING STATION

Materials Required:

- (1) 8 foot long 2 x 4"
- (2) 8 foot long 1 x 4"
- (1) 4 foot long 1 x 4"
- (1) pre-cut 2 foot x 2 foot plywood
- Small box of 1 1/2" inch screws
- Outdoor paint (latex recommended)—Alley Cat Allies recommends dark green or brown paint to camouflage the feeding station with its surrounding.

Tools Required:

- Saw (hand saw, circular saw, or miter saw)
- Electric Drill
- Measuring tape
- Square/straight edge

The measurements used for this project may seem a bit odd, but this feeding station was designed to use the least amount of tools and materials as possible. Letters in text refer to schematics on pages 3-4.

Assembly:

- 1) Cut one of the 8' 1x4s into four pieces: (2) 20 3/4"—These will be the front and back of your base (E), and (2) 22 6/16"—these will be the sides of your base (C).



Measured at 22 and 6/16ths inches

- 2) With the remaining 1x4s cut (5) pieces – each 24" in length. These will be the floor of the feeding station (D).
- 3) The 2x4 is cut into (2) pieces. (1) measuring 39" (B) and (1) measuring 51" (A). From these two pieces you will cut your (4) posts.
- 4) On the 51" piece (A), make a mark at 25 and 26" from one end. Draw a diagonal line from the two points (see below). Cut along the diagonal line. This will leave you with two identical posts with slightly slanted tops. (If you are using a miter saw, set it to 17 degrees for the cut.)



Cut diagonally between 25" & 26".

- 5) On the 39" piece (B) make a mark of 19 and 20" from one end. Draw a diagonal line from the two points, and cut on the diagonal. You will have two identical posts with slightly slanted tops.
- 6) Pair the two sets of posts with all the diagonal cut tops facing on the same slant.

Fact Sheet:

FEEDING STATION, page 2 of 4

7) Attach the side panels (C) (**22 6/16th"**) to the 4" inside side of the **2x4** posts—because these are making up the sides of the feeding station, make sure that you attach one of the taller (**26"**) posts (A) to one end, and one of the shorter (**20"**) posts (B) to the other end—maintaining the same roof slant with the diagonally cut tops. It is important to drill **pilot holes** so the wood doesn't split. Each joint should be enforced with (**2**) **screws**.

8) Do the same for the other side and posts.

9) Attach the front panel of the base (one of the pieces cut to **20 3/4"**) to the front of the two taller posts. Attach the back panel of the base (the other piece cut to **20 3/4"**) to the short diagonal posts. Each joint should be enforced with (**2**) screws (see below). You should now have the base complete with four posts attached.



Attach the front and back of the base (E) to the constructed sides.

10) Attach the floor boards—(**5**) **24" 1x4 pieces**—side by side inside the frame. They should be flush with the front and back panel and fill the space between the posts. Each floor board should have (**2**) screws on each end, attaching it to the base.

11) Center the **2' x 2'** plywood piece on top of the four posts and drill into place.



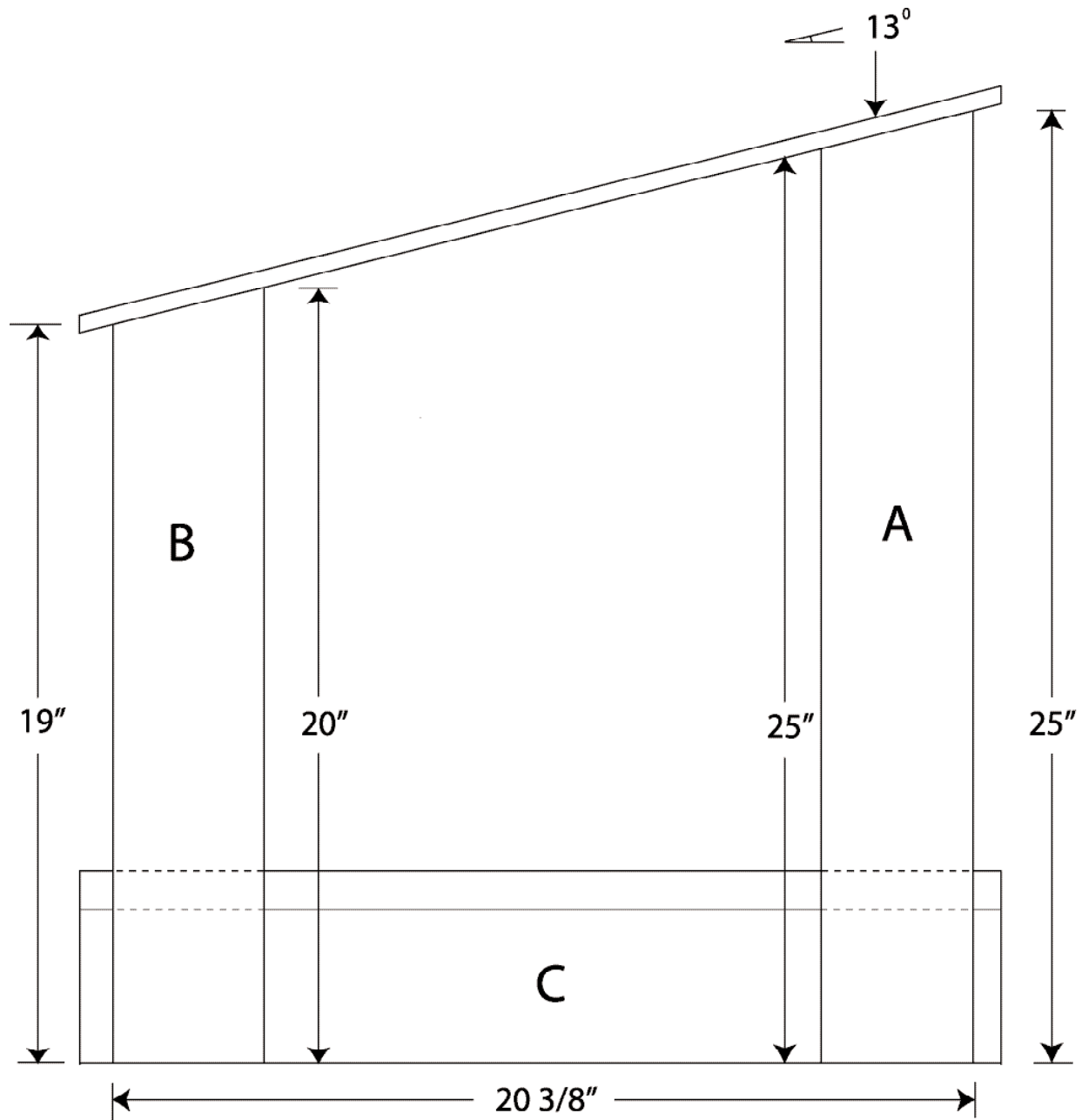
12) Paint the feeding station with outdoor latex paint.



Feeding station is now complete and ready for the cats.

Fact Sheet:

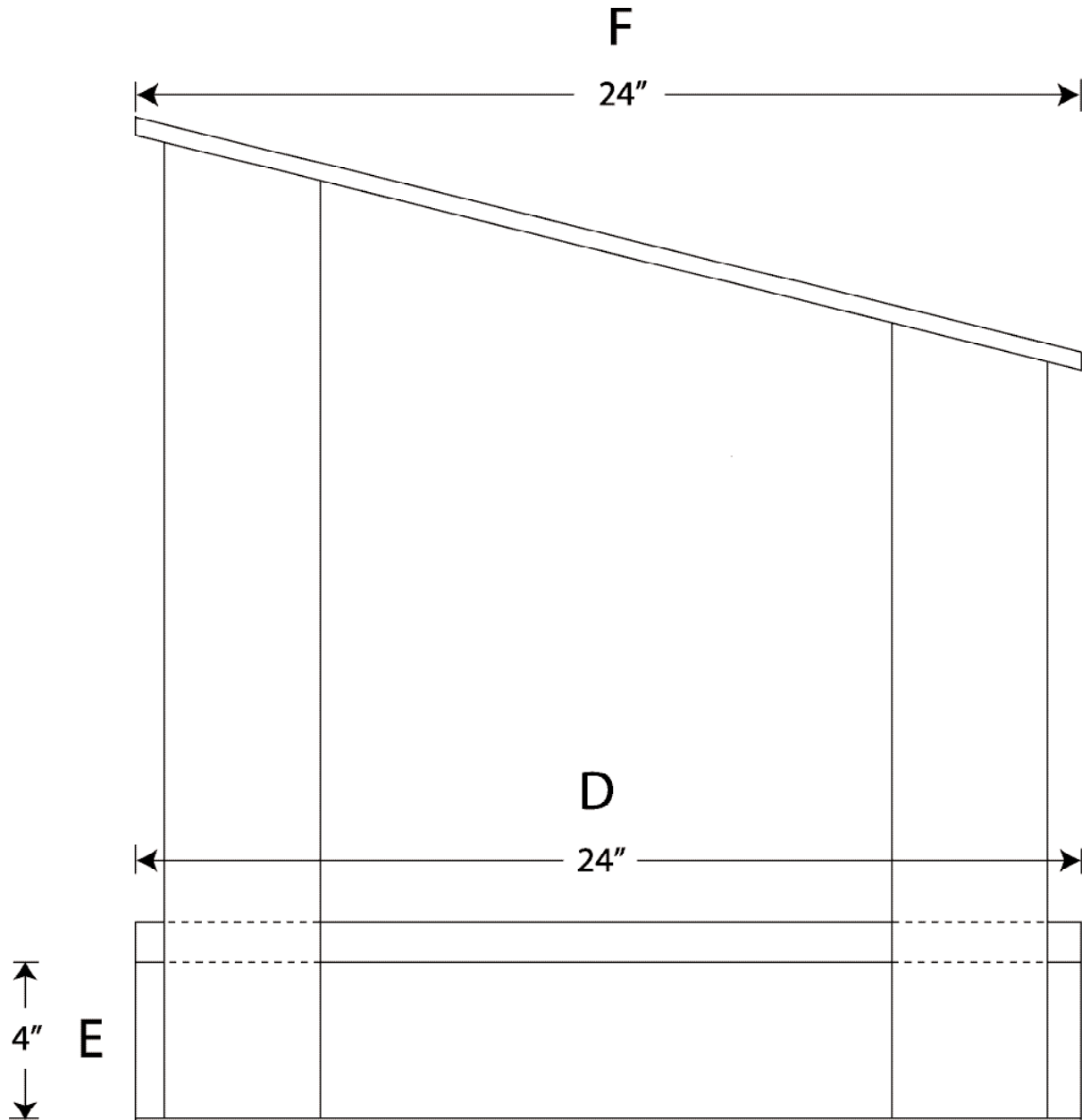
FEEDING STATION, page 3 of 4



Left Hand Side

Fact Sheet:

FEEDING STATION, page 4 of 4



Right Hand Side